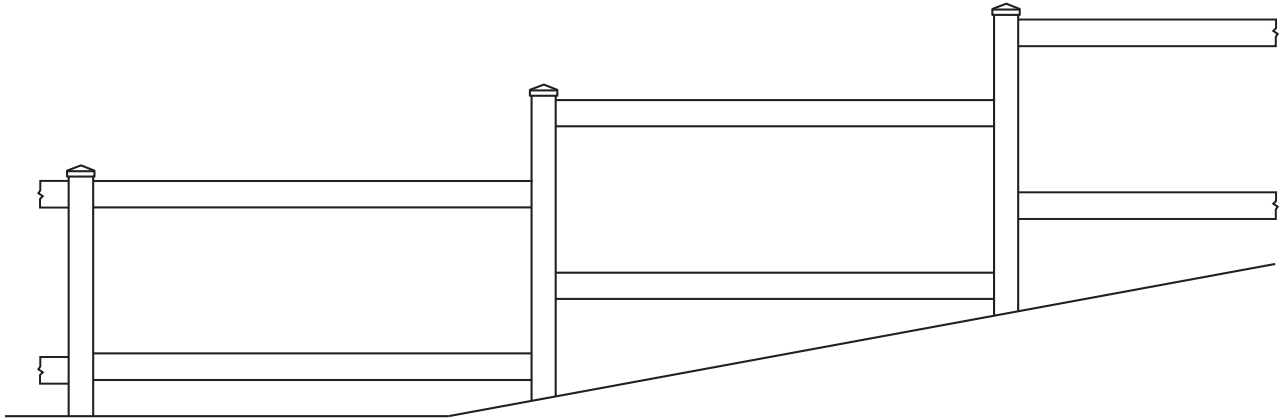


# FENCE STEPPING

Fence sections may be stepped using blank posts. (see Diagram below)



## STEP ONE

Determine where rails will need to be on the post and mark by outlining the rail.



Cut holes in the post by using a hand router and guides or by drilling holes on the inside of the marked outline and cutting out the rest of the hole with a jig saw. Longer blank posts can be purchased for situations when standard post lengths are not adequate.

## STEP TWO