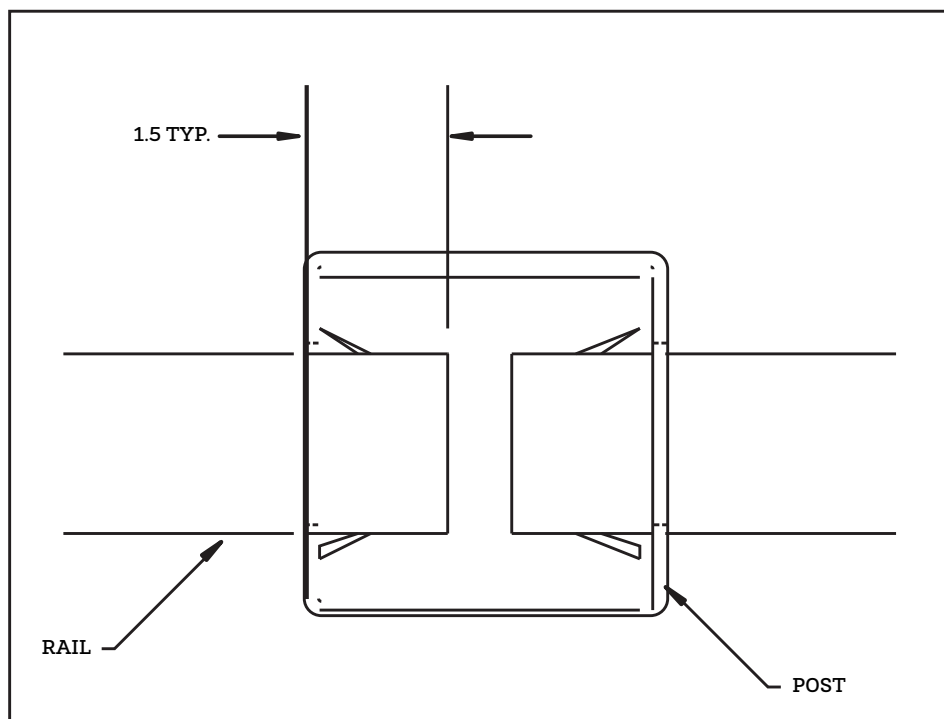


NOTCHING INSTRUCTIONS

Notching is an option when installing routed fences. Notching a rail secures it to a post permanently. This can be done with a notching tool.

STEP ONE

Determine how much rail is available to be notched by assembling the fence (typically 1.5"). Measure or mark how much rail is inserted into the post after you have positioned it in the desired location. Mark the rail at the insertion point into the post and then removing it.



STEP TWO

Notch the rail, top and bottom or the sides (this is determined by the installer). Be sure the notched portion will be on the inside of the post. When notching mitered rails (corner posts), only notch on surfaces that will be on the inside of the post.